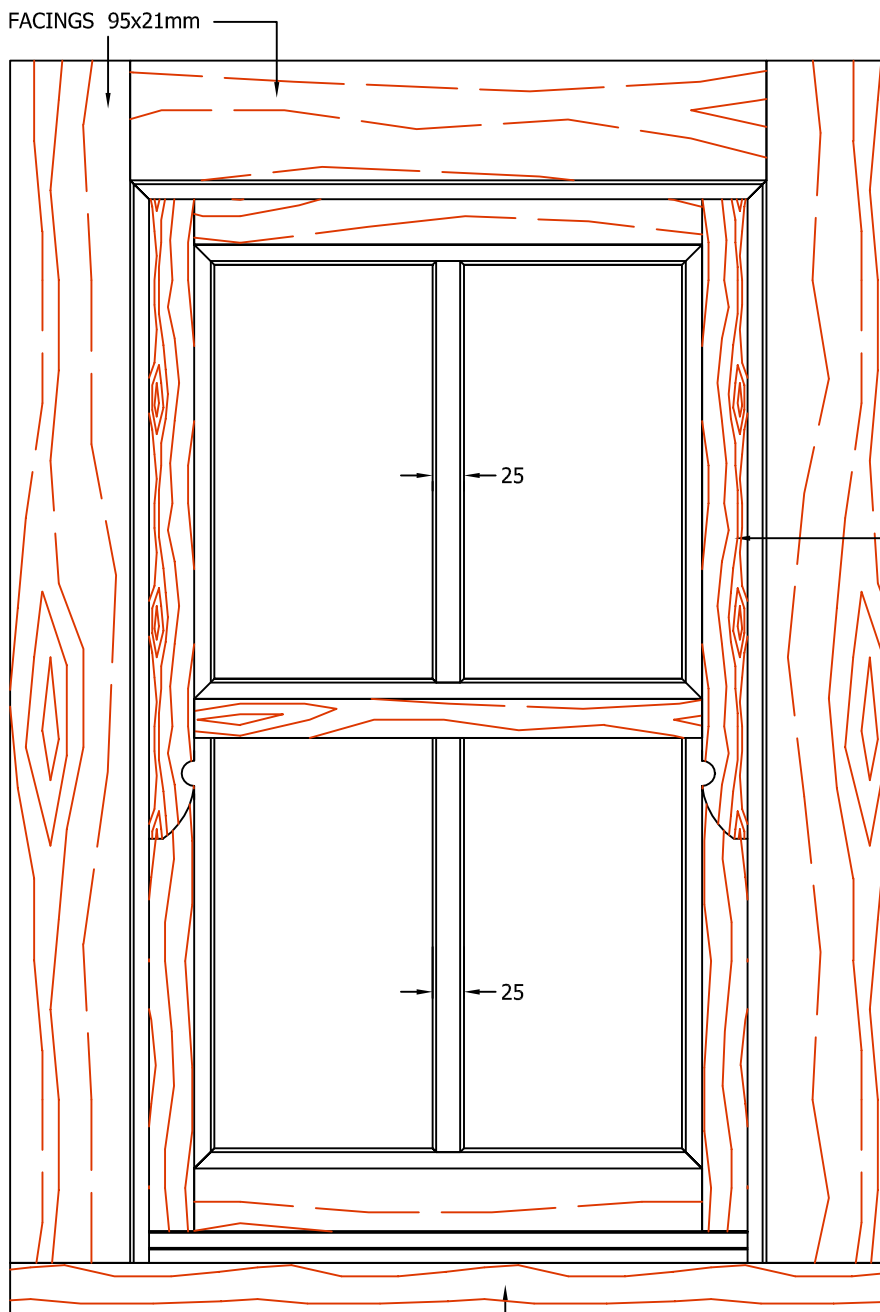
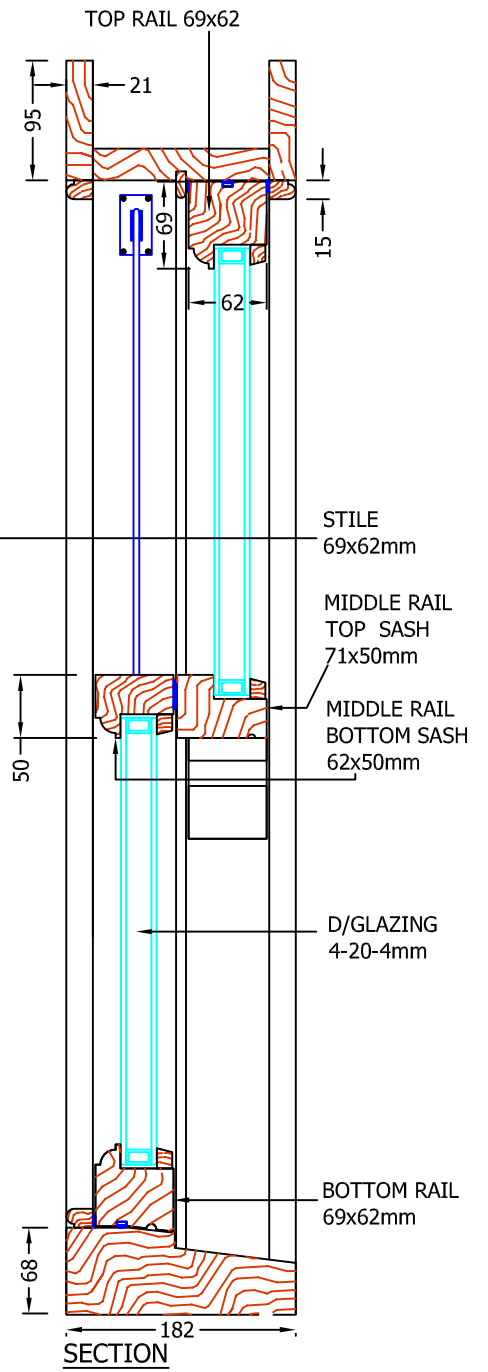


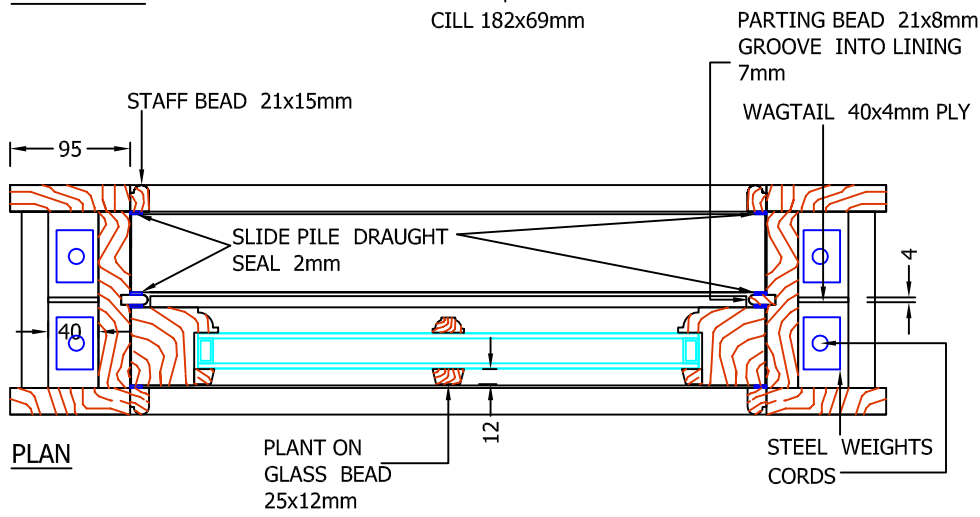
DO NOT SCALE USE FIGURED DIMENSIONS ONLY . IF IN DOUBT ASK



ELEVATION



SECTION



PLAN

FALLOWFIELD
PROJECTS
LTD

MANUFACTURED JOINERY . CABINET MAKERS
SHOPFITTING

MIDDLE OF THE MILL
STAVELEY MILL YARD . BACK LANE. STAVELEY
NR KENDAL. LA8 9LR CUMBRIA

TEL 01539 822700 FAX 01539 822701

E-MAIL :- Info@fallowfield.co.uk
WEB PAGE :- www.fallowfield.co.uk

CLIENT	
PROJECT SLIDING SASH DETAILS	
DATE 25-MARCH-2006	
SCALE 1/6 @ A4	
DRAWN BY SR	DRAWING No421-001 REVISION